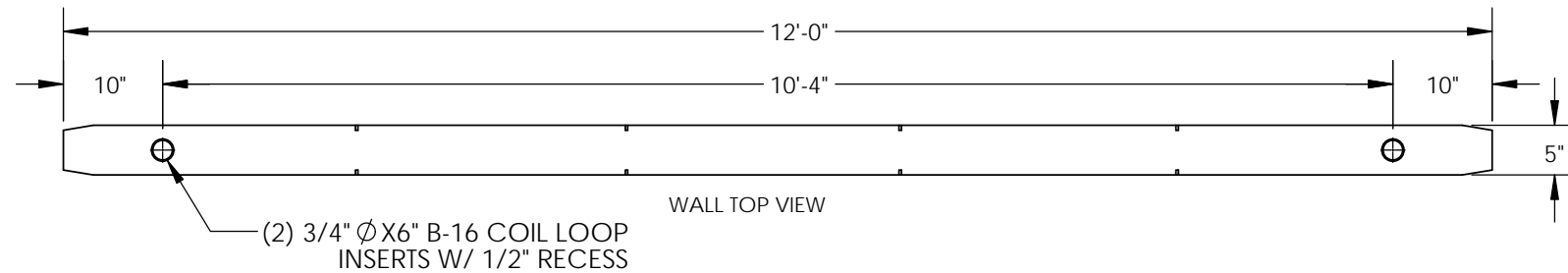
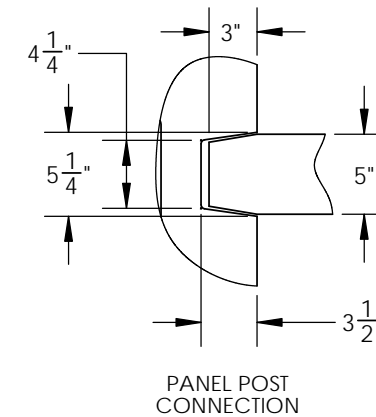


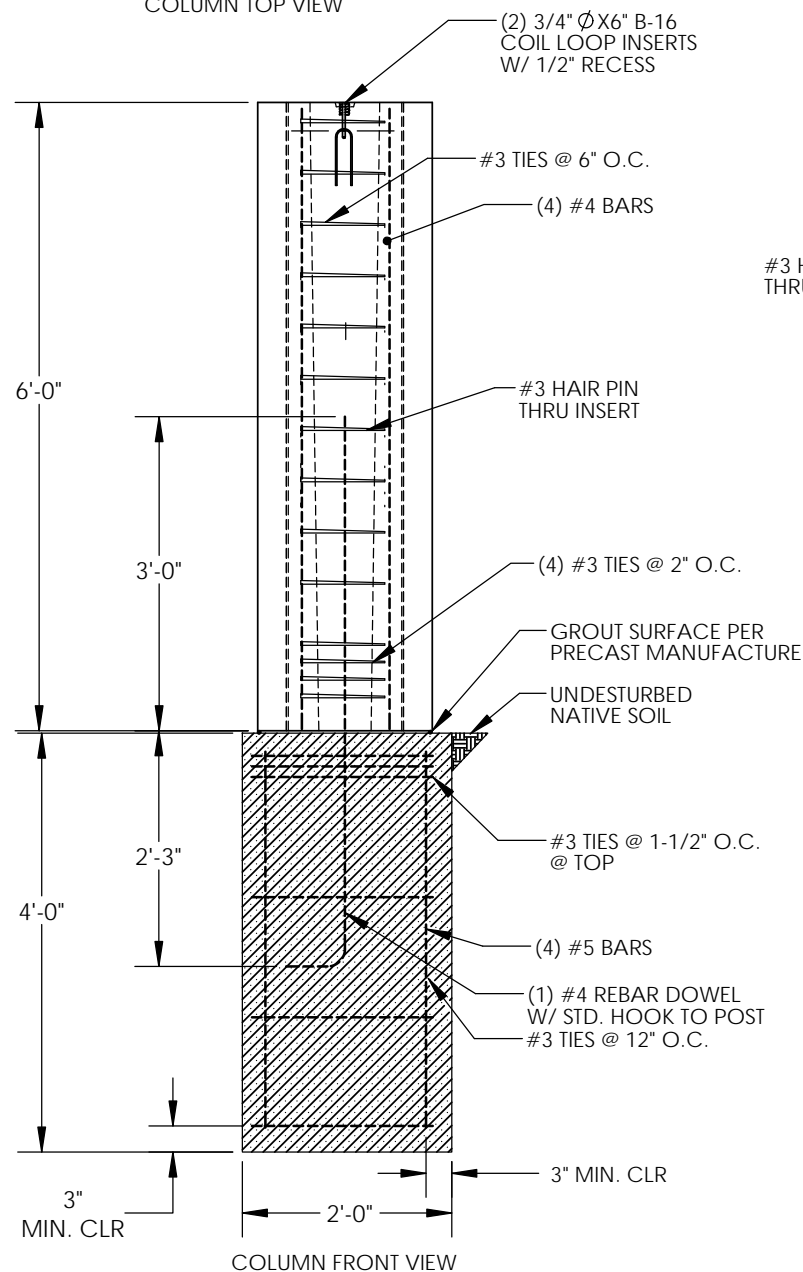
3B-01 COLUMN TOP VIEW



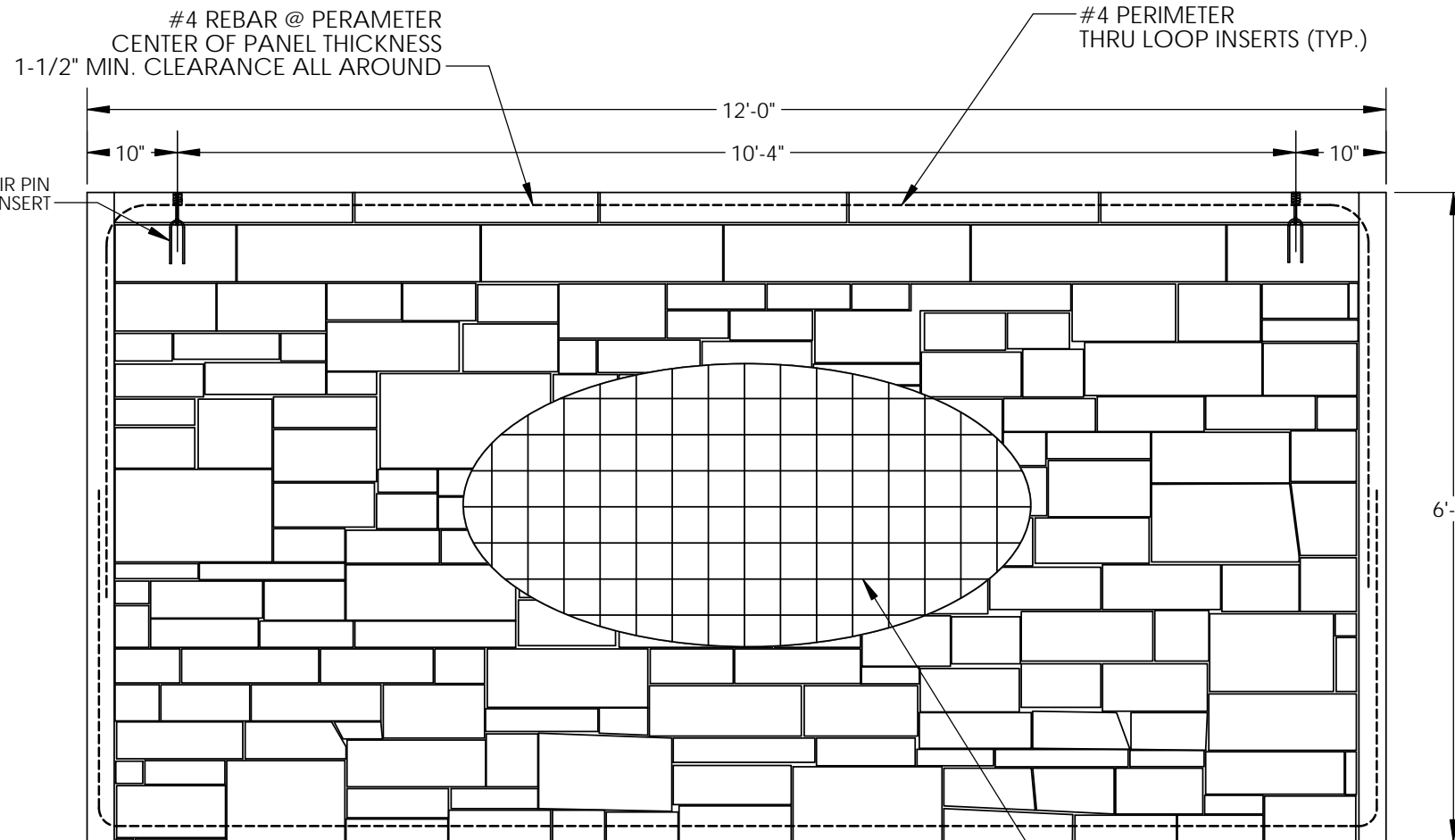
WALL TOP VIEW



PANEL POST CONNECTION



COLUMN FRONT VIEW



WALL FRONT VIEW

NOTES:

1. POST AND PANEL CONCRETE TO BE 5000 PSI.
2. FOOTING CONCRETE TO BE 3000 PSI.
3. MIN. SOIL LATERAL BEARING ALLOWABLE: 150 PSF/FT OF DEPTH BELOW GRADE.
4. MIN. ALLOWABLE SOIL BEARING PRESSURE: 2000 PSF
5. DIMENSIONS MAY BE REDUCED TO FIT PROJECT REQUIREMENTS.
6. GROUT BETWEEN POST AND FOOTING TO BE 2500 PSI.
7. THIS DESIGN IS FOR A 4' TALL WALL ONLY.



DRAWN BY: RYAN FONTANESI	DATE: 4/24/2018
$\gamma = 150$ PCF	$f'_c = 5000$ PSI
PANEL WEIGHT: ~4500 LBS	$f'_{cl} = 2500$ PSI
POST WEIGHT: ~2005 LBS	SLUMP = 4"-9"
	AIR: 5%
16500 S 500 W BLUFFDALE, UT 84065 PH: (801) 571-2028	

TITLE: TYP. 6' X 12' REINF. PANEL, PIER, & POST ENGINEERED SOUND WALL
DWG #: VC-5.1
SCALE: NA
SHEET 1 OF 1